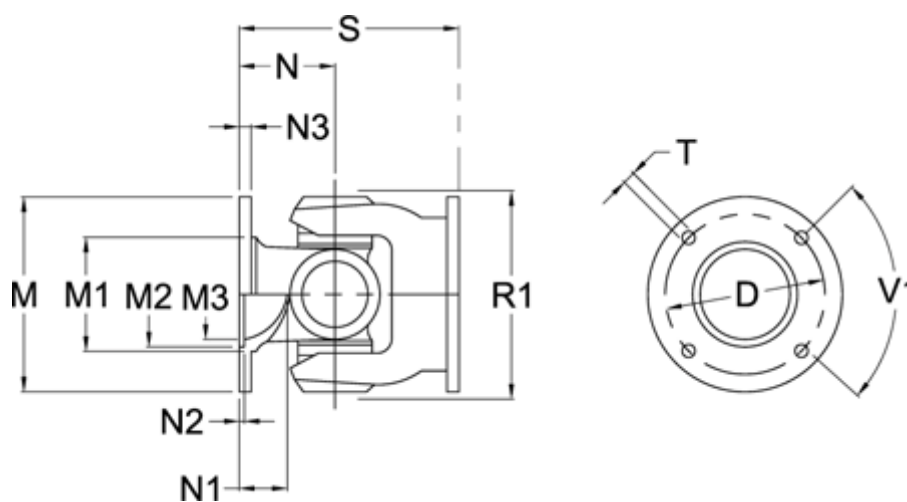


Article number: 07148405001

Description: Universal joint single 0.148.405.001  
S=160 X= Bore with keyway

## Measures



D	= 130 +0,1	N2	= 3 +0,5
Flange diameter M	= 160	N3	= 10
M1	= 104	Number og Flangeholes	= 8
M2	= 90	R1	= 138
M3	= 80	S min	= 150
Max. Bending Angle degrees	= 35	T	= 12 B12
N	= 80	V1 degrees	= 45
N1	= 32		